

Portable Luminaire

HDL 105

Zone 1 Ex emb Portable - Temporary - Permanent - Linkable Luminaire



Specification:

End Caps:

Polycarbonate or Aluminium

Lamp Diffuser:

Polycarbonate

Gasket:

Siicone

External Fasteners:

A4 Stainless Steel

T Rating:

T3 / T4 Gas and Dust

Surface Temperature:

100°C

Key Features:

- 2 x 18W, 2 x 36W, 2 x 55W, 4 x 18W, 4 x 36W and 4 x 55W Compact Fluorescent Lamp.
- 2 x 18W, 2 x 36W, 2 x 58W T8 Fluorescent Lamp, Bi Pin or Single Pin.
- Wide voltage range (24V to 254V).
- Can be supplied with direct cable entries or fitted with plugs/sockets to allow luminaires to be instantly linked in series (plug and play). Emergency versions available for all variants (dependant on socket option) - 3 hour duration.
- IP68 rated (no socket fitted).
- Aluminium or polycarbonate and caps.
- Rugged construction.
- Easily relamped - uses standard compact fluorescent lamp / T8 lamp.
- Short gaskets for proven ingress protection.
- Mounting in any attitude.
- Features mounting points compatible with Unistrut support systems and accessories.
- Can be supplied with pre-fitted cable, plug and mounted socket (eg. ATX, Stahl, Ceag).
- Hanging/carrying strap supplied as standard.
- Electronic control gear for instant operation and reduced running costs.
- Continuous monitoring of fluorescent lamps ensures safe end of life shutdown by electronic ballast in accordance with HSE safety notice 8/05 Overvoltage protection 320V for 1 minute (110V and 240V only).
- High frequency electronic ballast suitable for operation at low temperatures.
- Portable versions are supplied with an antistatic protective coating.
- Industrial variant available.
- Can be supplied with SY, H07RNF, or ships cable.
- Available with a variety of accessories, mounting stands, tripods etc.
- Replaceable, protective films available for use in paint shop applications.

Incorperates the new "End of Life" (EoL) protection circuit ballast according to DIN EN 61347-2-3 and IEC 60079-7 Ed.4 Annex H

Engineering Solutions
Design to Manufacture

HADAR
LIGHTING

Union Supplies (Aberdeen) Ltd
Blackness Road, Aberdeen, AB12 3LH

T: +44 (0) 1224 897755
F: +44 (0) 1224 877121

sales@unionsupplies.com

www.unionsupplies.com

Protection:

II 2GD Ex emb II T3 / T4 IP66/67/68 (30 minutes at 3m depth). Ex tD A21 T100°C.

Certification: ATEX & IEC Ex certified by SIRA

	Certification	Ambient	Voltage Range	Certificate
HDL 105	Cable Gland option II 2GD Ex emb II T3/T4 IP66/67/68 Plug and Socket option II 2GD Ex embd IIC T3/T4 IP66	4 x CFL -20°C to +35°C T3 2 x CFL -20°C to +44°C T3 2 x T8 -20°C to +53°C T4 Emergency Range -15°C	24V - 28V AC/DC 42V - 54V AC/DC 110V - 130V AC/DC 220V - 254V AC/DC	IEC Ex SIR 07.0020 SIRA 07 ATEX 3032

Emergency Version: Standard emergency - one fluorescent lamp remains at a reduced output. Can be operated maintained or non maintained.

Electrical Specifications:

Electrical Specification			
Lamp Options	Typical power consumption	Power factor	Available power supplies
2 x 18W	32W	Better than 0.95	220V - 254V 47/63 Hz AC/DC (all variants) 110V - 130V 47/63 Hz AC/DC (18W & 36W only) 24V - 28V AC/DC (36W only) 42V - 54V AC/DC (36W only)
2 x 36W	62W		
2 x 55/58W	92W		
4 x 18W	64W		
4 x 36W	124W		
4 x 55W	184W		

Installation:

Terminals: Up to 4mm² screwed terminals for live, live switched, neutral, earth and looping are provided. Internal earth as standard.

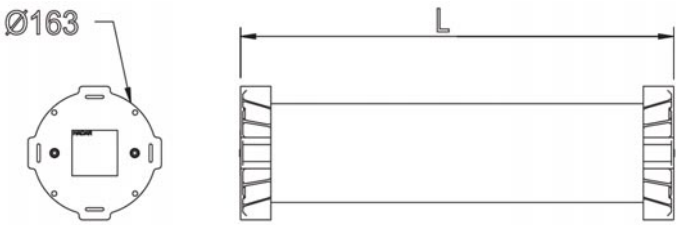
Suspension / Mounting: Each aluminium or polycarbonate end cap incorporates 4 channels which are compatible with Unistrut (or equivalent) fixings and accessories, supplied with suitable suspension / carrying strap. M6 clearance holes allow mounting plates to be attached to provide free standing luminaires. Tripod, floor stand and other various accessories are available.

Installation: Installation document AL10171.

Ordering Matrix:

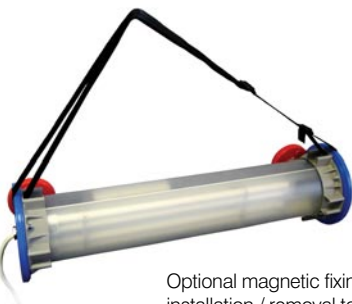
Field	Options
Product Version	HDL105 S - Standard E - Emergency
End Caps	A - Aluminium P - Polycarbonate
Voltage	H - High Voltage 220 - 254V M - Medium Voltage 110 - 130V L - Low Voltage 42 - 54V E - Extra low Voltage 24 - 28V
Cable Entries	00 - Refer to notes
Lamp Options	218 - 2x 18W 236 - 2x 36W 258 - 2 x 55/58W 418 - 4 x 18W 436 - 4 x 36W 458 - 4 X 55W
Options	C - Compact B - Bi Pin T8 S - Single Pin T8

Dimensions:

	
Lamp	Typical Length mm
2 x 18W	399
2 x 36W	552
2 x 55W	676
4 x 18W	588
4 x 36W	782
4 x 55W	906

Notes:

- 1) Typical ordering reference: HDL105SAL00218C
- 2) For Photometric Data contact the sales office.
- 3) Cable entries - over 5000 combinations (M20 / M25 entries, plug, socket and cable variants). Contact technical department.



Optional magnetic fixing brackets allow ease of installation / removal to steel structures.

